

AVC **LHN51SVT-A1S**

QUICK START GUIDE

5MP AUTO-TRACKING PTZ BULLET CAMERA

TABLE OF CONTENT

- Package Contents..... 1
- Caution..... 1
- System Requirements..... 1
- Hardware Overview..... 2
 - 12x Mini (PoE) PTZ Bullet Network Camera..... 2
 - Camera Installation..... 3
- How to perform a Hardware Reset..... 6
- How to Connect to Alarm Interface..... 6
- How to Connect the Waterproof Connector..... 7
- Accessing the Network Camera..... 8

Thank you for purchasing this AVYCON IP Network Camera. This guide provides basic instructions on installing and accessing this IP Network Camera. For more details, please refer to the User Manual.

Package Contents

Before installation, please verify that all the necessary items are supplied in the box as the package contents listed below. If any item is missing or damaged, please contact the shipper and your Avycon Sales Representative.

	ITEMS	QUANTITY	DESCRIPTION
DEFAULT	Avycon Network Camera	1 Pc	The purchased model
	Power Adapter	1 Pc	DC 12V (Optional for part of devices)
	Quick Start Guide	1 Pc	Printed material
	Warranty Card	1 Pc	Printed material
OPTIONAL	Lens		If purchased
	Bracket & Screw Pack		If purchased

Caution

- * Make sure the device is firmly fixed when mounting it on the wall or ceiling
- * Make sure that the power supply voltage is correct before using the camera
- * Do not use a 3rd party Power Adapter
- * Never attempt to disassemble or modify the camera

System Requirements

OPERATING SYSTEM: Windows XP / Vista / 7 / 8 / 10 / Server 2000 / Server 2008

CPU: 1.66 Ghz or Higher

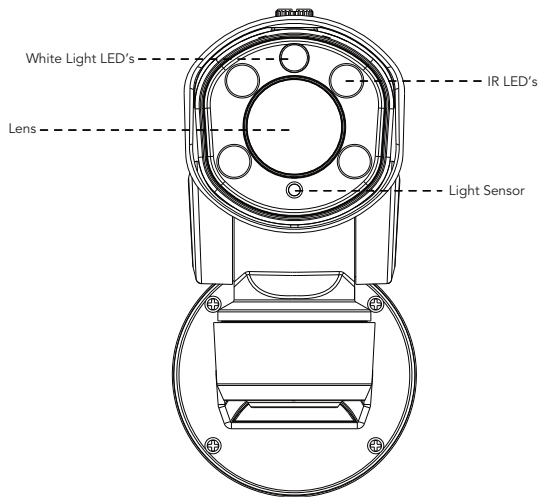
RAM: 1G or Higher

Graphic Memory: 128MB or more

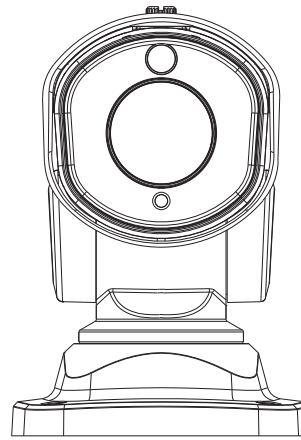
Internet Protocol: TCP / IP (IPv4 / IPv6)

Hardware Overview

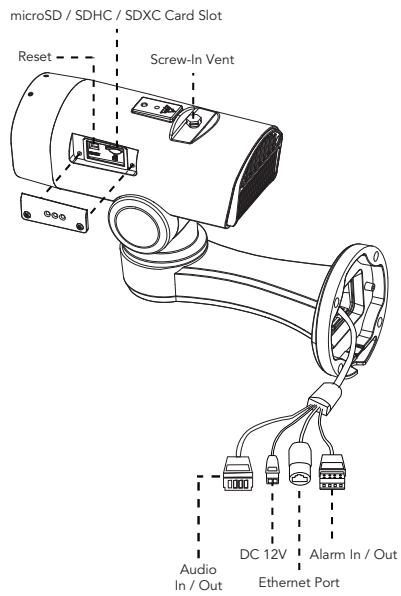
AVC-LHN51SVT-A1S



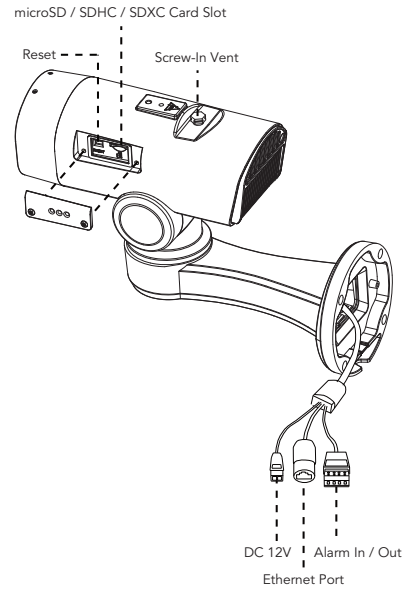
WALL MOUNTED



PEDESTAL MOUNTED



MINI PTZ BULLET



MINI PoE PTZ BULLET

NOTE: Only DC 12V is available for Mini PTZ Bullet Power Supply. DC 12V & PoE (802.3at) are available for Mini PoE PTZ Bullet Power Supply.

Camera Installation - Install with Junction Box

AVC-LHN51SVT-A1S

1. Position the mounting template sticker in the position where the camera is intended to be installed;

DIAGRAM 1: Optional "AVM-LDMT-W-A1" junction box

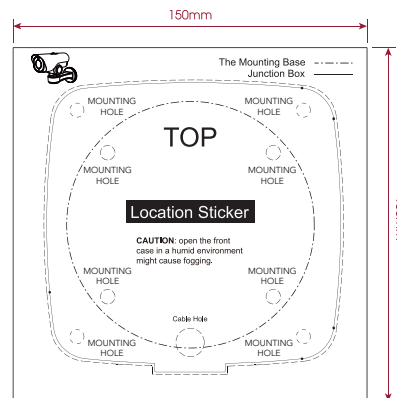
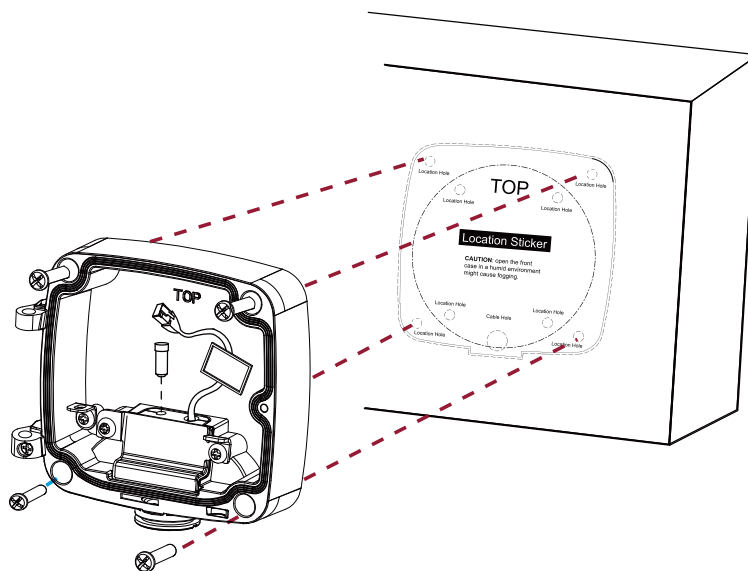
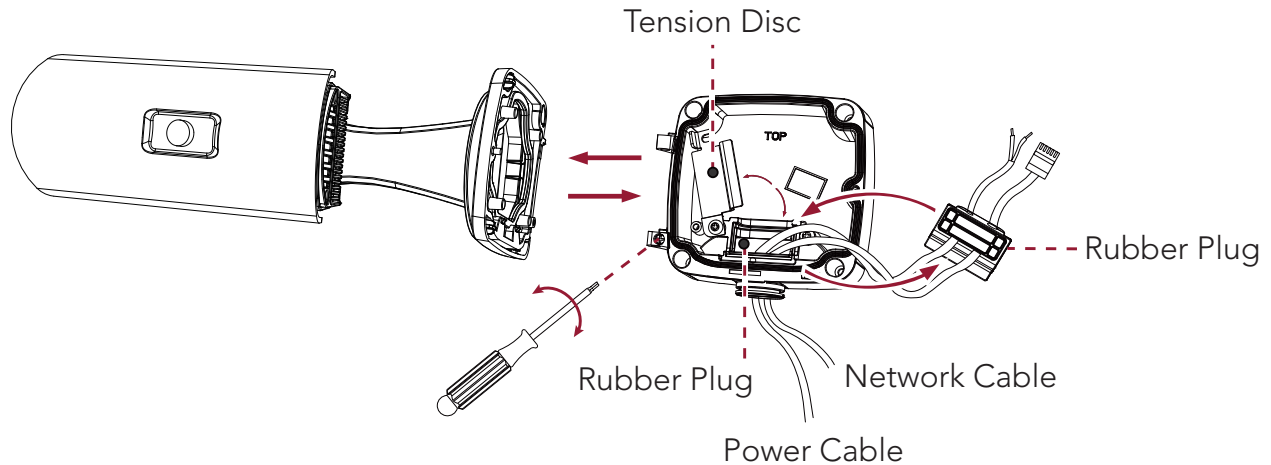


DIAGRAM 1

2. Unbolt the screws on the Junction Box (AVM-LDMT-W-A1*) between the front cover / rear cover and remove the front cover. Remove the tension disc on the rear cover, and cut an opening on the rubber plug and get cables through the opening then fasten the rear cover to the ceiling or the wall.



3. Secure the camera to the junction box's front cover by using 4 Torx screws and then reinstall the junction box front cover by place at an angle near 90° to the junction box base (see diagram below).



4. Adjust the cable's lengths, connect the cables to corresponding ports/interfaces and secure the tension disc. Close the junction box and tighten screws as the last step. Please remember to plug the small rubber plug whenever the holes on the rubber plug are not in use.

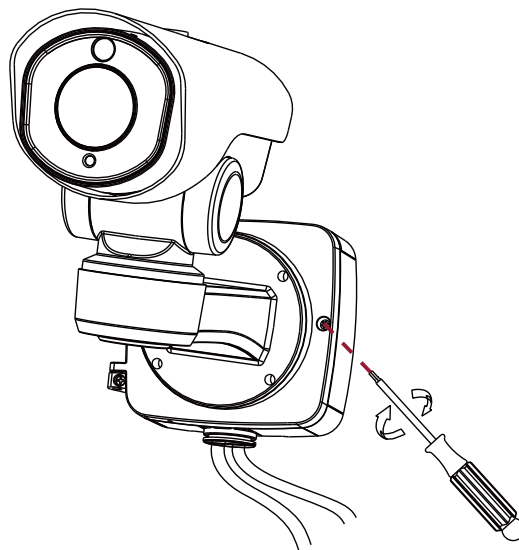



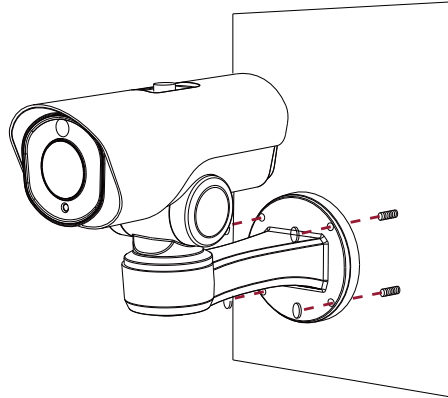
DIAGRAM 2

 **DIAGRAM 2:** Remember to fix the setscrew tightly

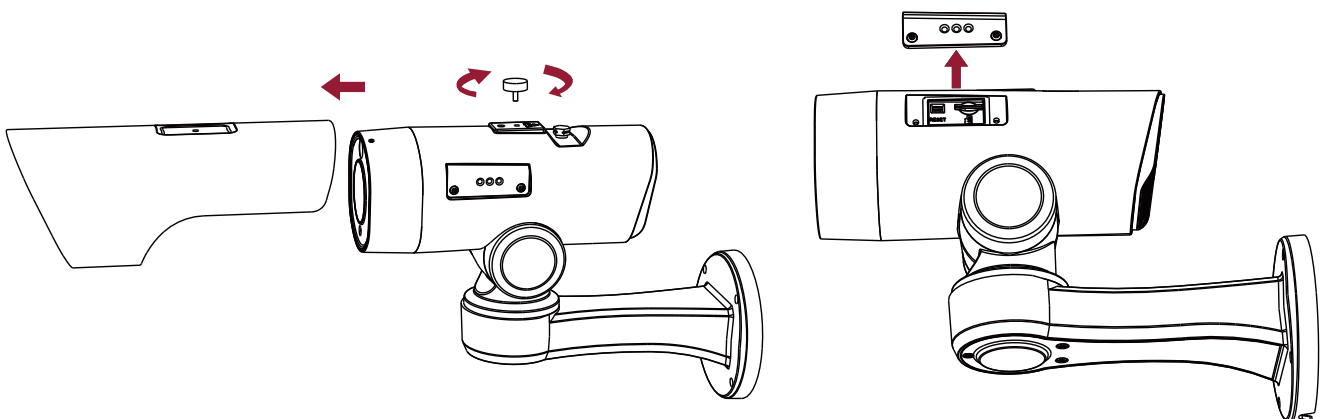
Camera Installation - Install to Wall Directly

AVC-LHN51SVT-A1S

1. For use without the optional junction box (AVM-LDMT-W-A1), after making hole for passing cables through, mark mounting holes and secure camera to wall with proper hardware.



NOTE: NOTE: If you need to use the SD card, please remove the thumbscrew holding the sun cover and remove cover. Loosen screws on SD card cover to get access to the SD card slot. After inserting SD card, reattach SD card cover, tighten screws and then replace sun cover and make sure to tighten thumbscrew.



How to perform a Hardware Reset

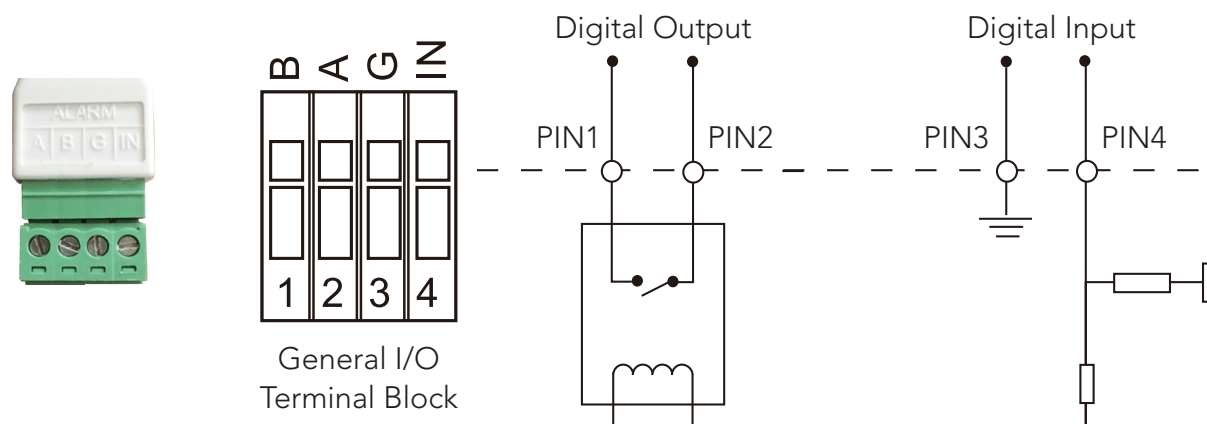
1. While power is off, press and hold reset button, then power on the camera and the IR LEDs will begin to flash.
2. There are 2 hardware models of our camera. Please follow instructions for the proper models below:

Model - A: Keep holding button until the LEDs stop flashing;

Model - B: Keep holding button until the IR LEDs stay on;

3. Release the reset button and the camera will begin the reset process, which should take 1-3 minutes to complete. After the reset process is complete, the camera will have an IP address of 192.168.10.201. If you find that the IP address has not changed, please repeat process from Step 1.
4. If needed, modify the IP address of the camera using the Tools utility.

How to Connect to a Alarm Interface



PIN1: Alarm Output NC / NO 24V DC 1A

PIN2: Alarm Output NC / NO 24V DC 1A

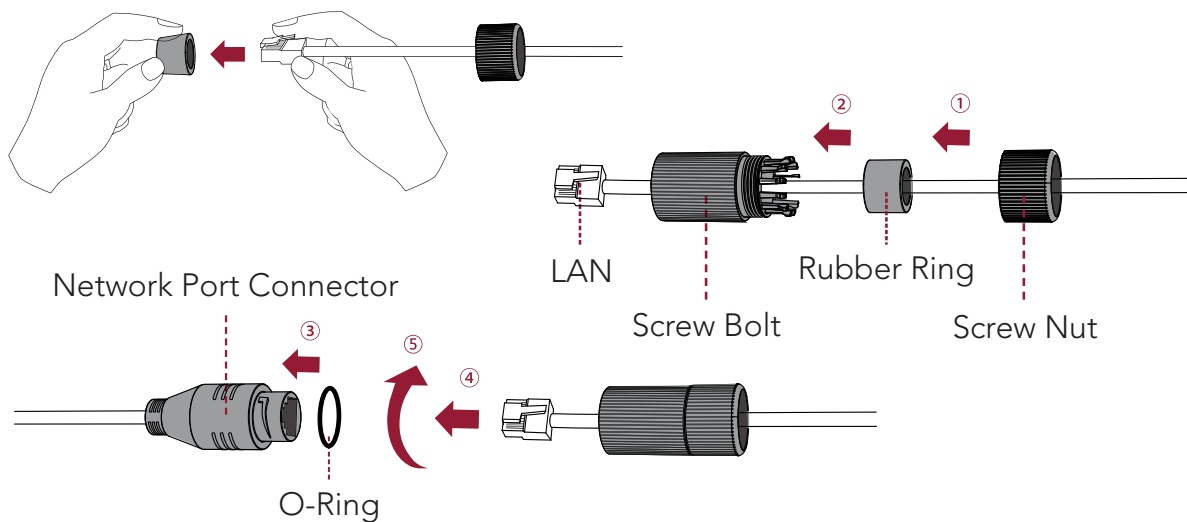
PIN3: Alarm Input NC / NO $\leq 12V$

PIN4: Alarm Input NC / NO $\leq 12V$

How to Connect the Waterproof Connector

1. Insert network cable through the screw nut, rubber ring and the screw bolt.
2. Insert the rubber ring into the screw bolt;
3. Connect the screw nut to the screw bolt;
4. Place the O-Ring on the network port connector;
5. Connect the RJ45 to the network port connector, tighten the screw bolt and the connector.

NOTE: If placed in an extremely wet environment, for added protection you can wrap the connector in electrical tape to prevent standing water to accumulate on connector.



Accessing the Network Camera

In order to access the camera on your network, you must assign it an IP address compatible with your network configuration.

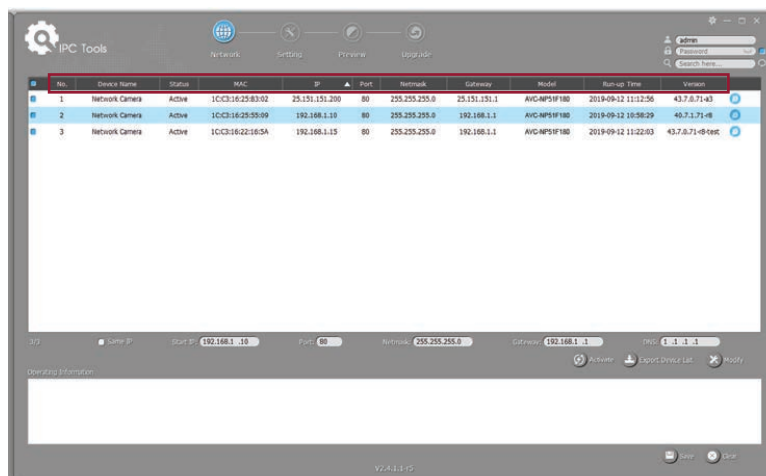
Assigning an IP Address

In order to access the camera on your network, you must assign it an IP address compatible with your network configuration. The default address of this camera is 192.168.10.201. You can either change the IP address of a camera using the Tools Utility or manually assign your computer an address to communicate with the camera and log in using the browser to modify the IP address.

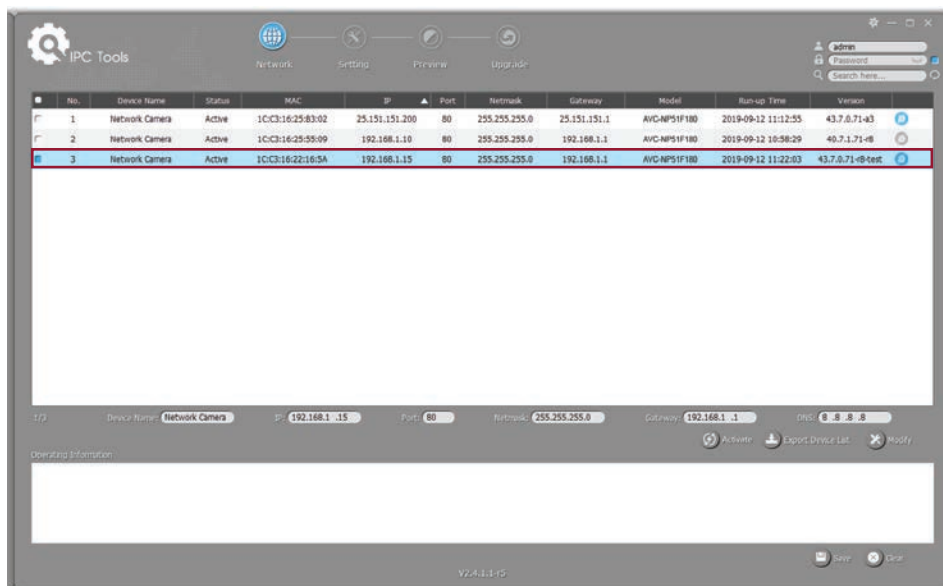
Assigning an IP Address by Using Tools Utility

The Tools utility is a software tool which can automatically detect AVYCON IP cameras on your LAN, modify IP addresses, and manage firmware upgrades. It's recommended to use when assigning IP addresses for multiple cameras.

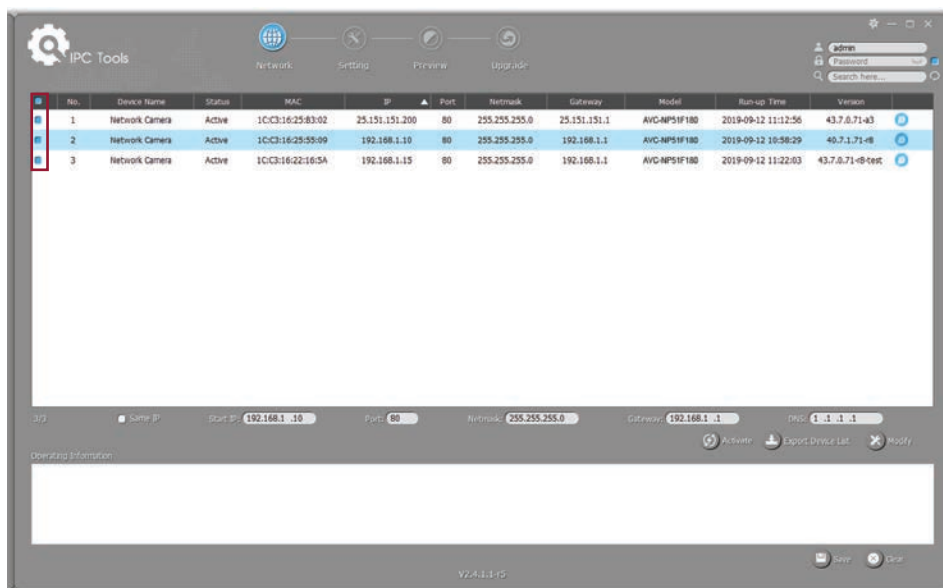
1. Install the Tools utility (This can be downloaded from our website)
2. Start Tools, then click the IPC Tools icon, and then all AVYCON IP cameras on the local network you are connected to will be shown with information such as IP address, MAC address, Status, Port number, Netmask, and Gateway.



3. Select a camera or multiple cameras according to the MAC addresses; the camera must be assigned an IP address to be accessible.

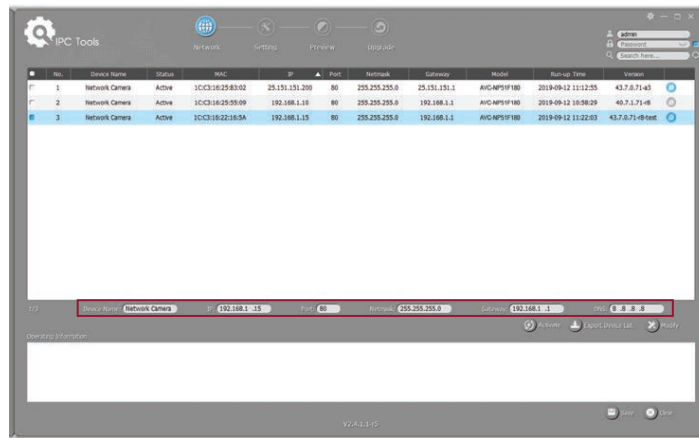



SELECT SINGLE CAMERA



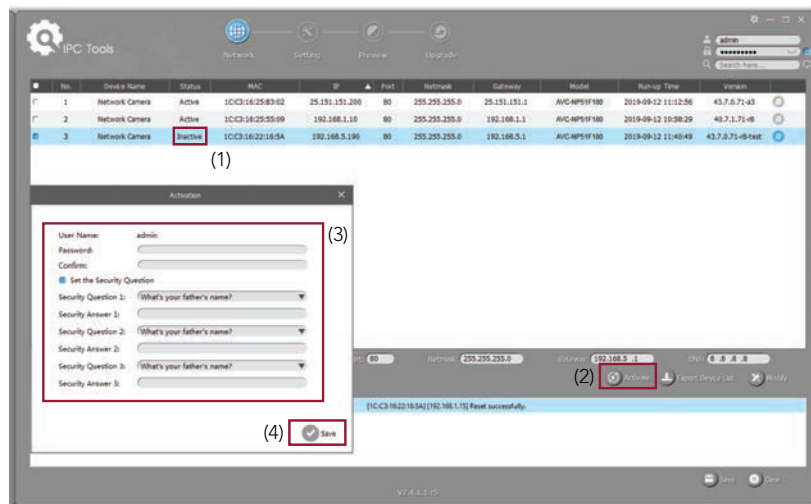
SELECT MULTIPLE CAMERAS

4. If the selected camera shows "Active" in the status bar, you can directly type the User Name and Password you have previously assigned and then make any modifications to the IP address and click on Modify.

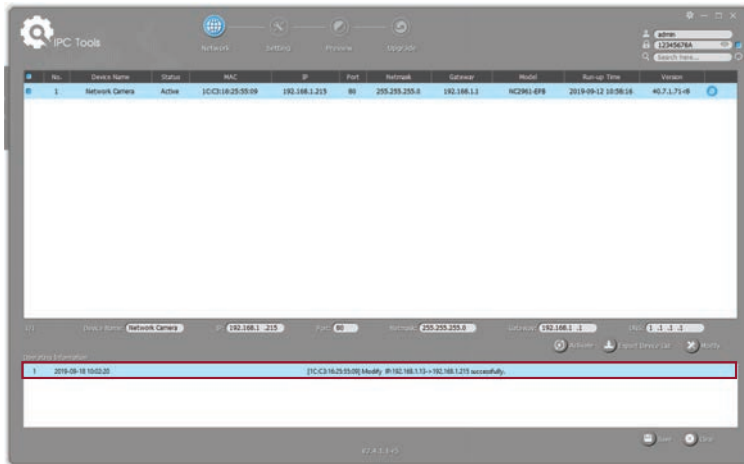


If the selected camera shows "Inactive" in the status bar (Camera with version V4x.7.0.69 or above), click  to set the password when using it for the first time. You can also set the security questions when activating the camera in case that you forget the password (You can reset the password by answering three security questions correctly). Click 'Save' and it will show that the activation was successful.

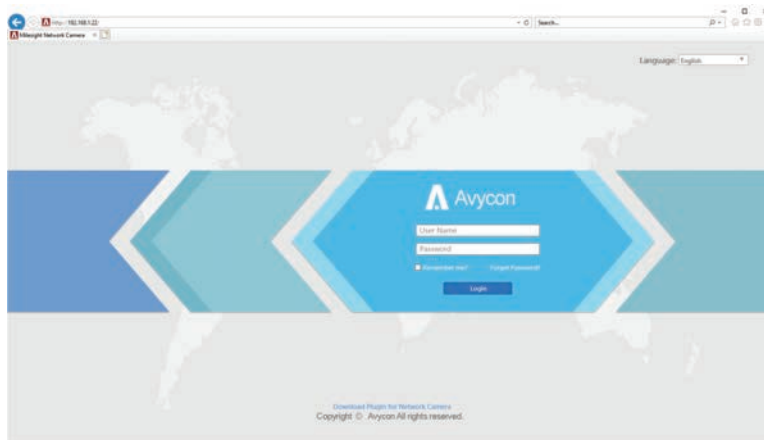
- NOTE:** (1) Password must be 8 to 32 characters long, contain at least one number and one letter.
 (2) You need to be using Tools version V2.4.0.1 or above to activate the camera.



5. After activation, you can change the IP address or other network values, and then click "Modify" button to change the IP address successfully;



6. By double clicking on the selected camera's row or the browser icon of the camera, you can access the camera via a web browser directly with the browser window that will pop up.

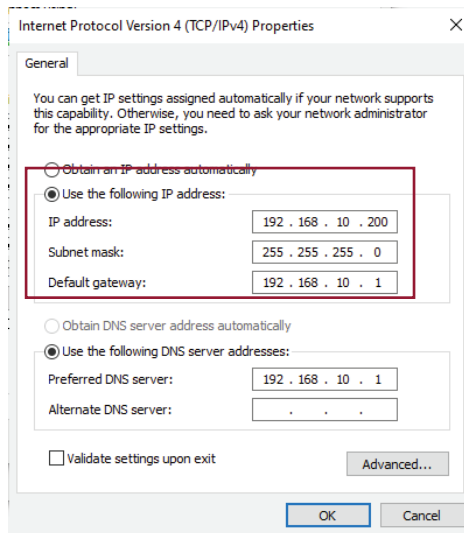


Assigning an IP Address via Browser

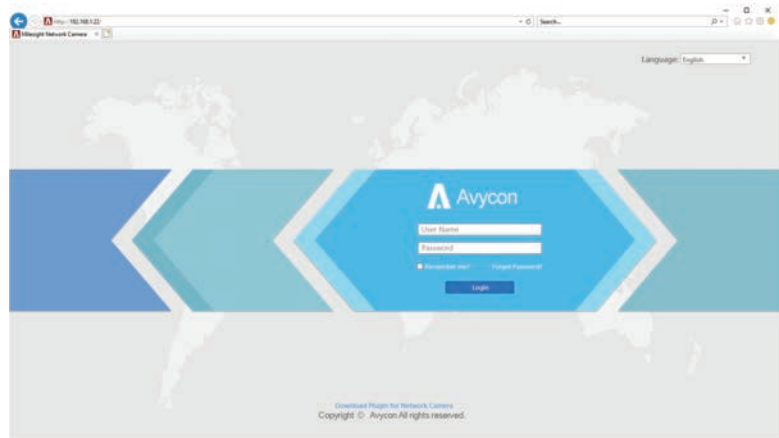
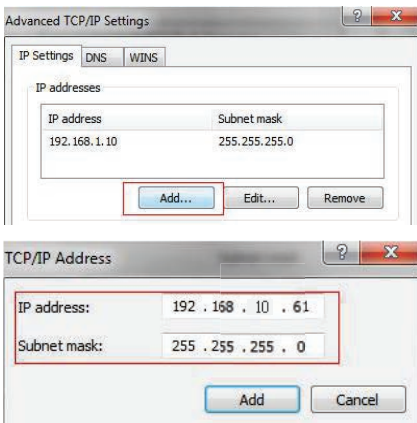
If the network segment of the computer and that of the camera are different, please follow the steps to change the IP address:

1. Change the IP address of computer to 192.168.10.0 segment, here are two ways as below:

A. Start > Control Panel > Network and Internet Connection > Network Connection > Local Area Connection, and double click it.



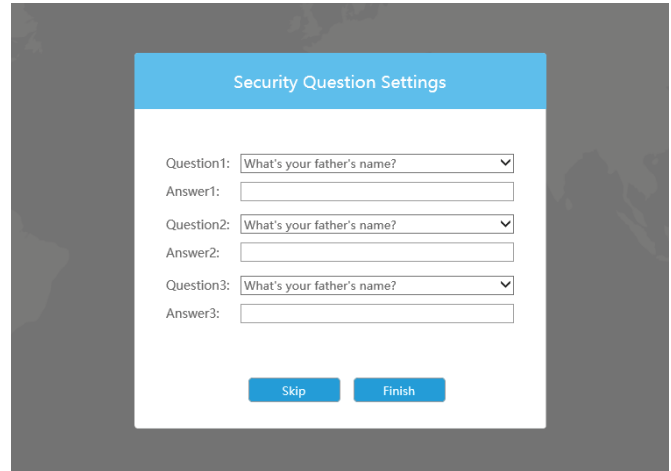
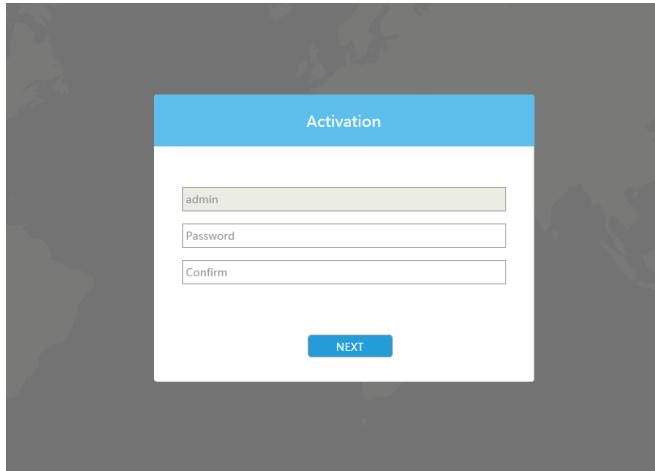
B. Click "Advanced", and then click "IP settings" > "IP address" > "Add". In the pop-up window, enter an IP address that is in the same segment with your Avycon IP camera (e.g. 192.168.10.200, but please confirm that the IP address you pick does not conflict with another address on the network);



2. Start your web browser. In the address bar, enter the default IP address of the camera:
<http://192.168.10.201>;

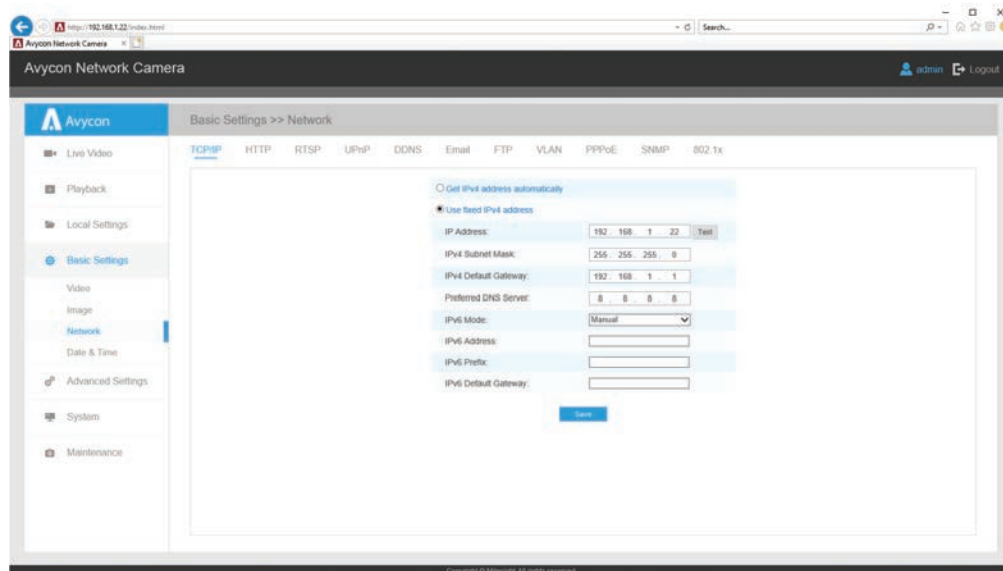
If this is the first time you are logging into the camera, you need to set a password first.

If wanted, you can also set three security questions for your device after activation. You can now use this password to log into the camera.



NOTE: 1. Password must be 8 to 32 characters long, contain at least one number and one letter.

2. You can click the “forget password” in login page to reset the password by answering three security questions when you forget the password, if you set the security questions in advance.



4. After login, please select “Configuration” > “Basic Settings” > “Network” > “TCP/IP”.

The Network Settings page appears (Shown as below Figure);

5. Change the IP address or other network values as need, then click on the "Save" button;
6. You should now have completed changing the default IP address.

Accessing from the Web Browser

The camera can be used with the most standard operating systems and browsers.

The recommended browsers are Internet Explorer, Firefox, Chrome, Safari.

Accessing over IE Browser

Before using the browser to get access to your camera, you may need to install the MsActiveX plugin first. Please refer to the steps below:

1. Launch Internet Explorer and enter the IP address of the camera: e.g. 192.168.10.201
2. If this is the first time accessing the camera, you will be prompted to create a password, and also the option to set three security questions for your device after activation. After assigning the new password, you can now log into camera with these new credentials.

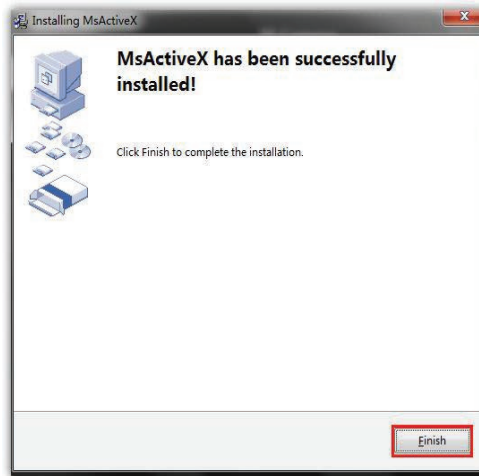
NOTE: 1. Password must be 8 to 32 characters long, contain at least one number and one letter.

2. You can click on "Forget Password" on the login page to reset your password by answering the three security questions you assigned during activation.

3. If this is the first time logging into your IP camera, the browser will prompt you to install the plugin. Please click on link that the window displays to start the download.

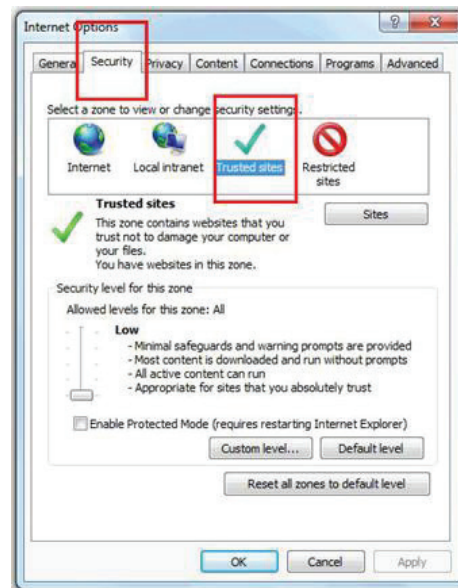
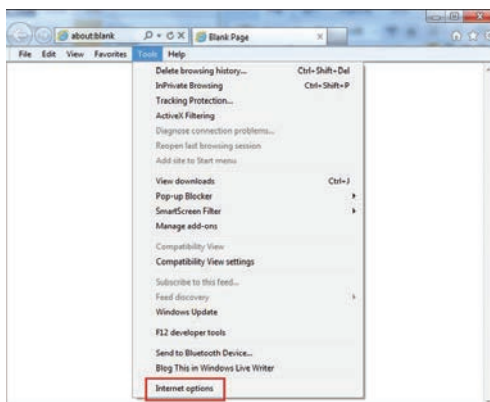
[Click here to download and install controls manually](#)

4. Follow the prompts to install the plugin and when finished, you will see the window below
After the plugin has successfully installed, you can refresh the browser and you should be able to see video.

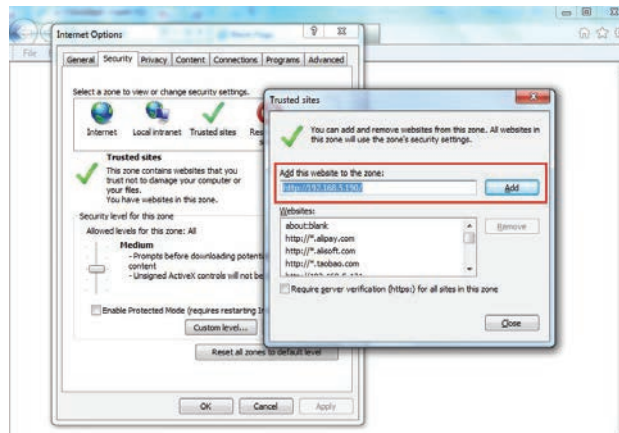


If IE9 or higher version browser is used, it is suggested that the Avycon camera web link should be added as a trusted site. See the instructions as follows:

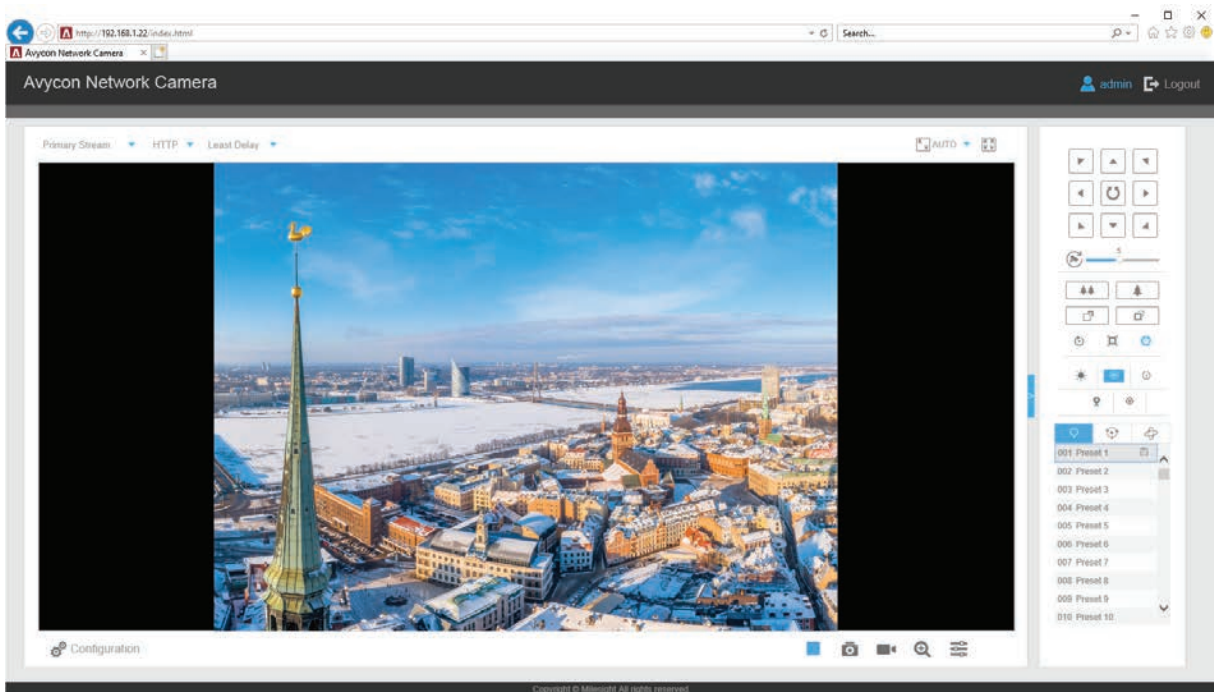
1. Start the IE9 or higher version browser, and select "Tools" > "Internet Options";
2. Select Security, then click on "Trusted Sites"



3. Enter the IP address of the camera in the blank and click "Add";



4. Enter the IP address into your browser's address bar. After logging into your AVYCON IP camera successfully, you should see live video.





AVYCON[®]



AVYCON[®]

Copyright © AVYCON. All rights reserved. Specifications and pricing are subject to change without notice.

phone: 949-752-7606

email: info@avycon.com

social: [@avycon_aivo](#)

website: avycon.com